

Omme Lift 3150 RJ

class 28m-33m



🕒 setup time 5:30 engine 6:00 battery

WORKING HEIGHT	29.70m
WEIGHT	3,900kg
OUTREACH	12.60m
LENGTH	8.00m
WIDTH	1.10m

KEY FEATURES

- Variable jacking:** Allows the machine to be set up in a smaller area.
- Remote controls:** Better overview and high flexibility while walking alongside the machine.
- Outreach:** As a telescopic boom this machine has an extensive outreach.

CASE STUDY

Nature of job:

Outdoor maintenance and painting work on a public monument

Reason for choosing this Spider Lift:

Lightweight tracked machine for difficult access on a grassy bank

Our customer had to carry out maintenance and painting work at the Papal Cross, which is located on top of a grassy hill in the Phoenix Park in Dublin city centre. Because the site was a public park, the work had to be completed in one day.



Height for Hire carried out a site survey and provided a specialist operator to drive the Omme 3150 up the slippery grassy bank ensuring minimal damage to the grass, while having sufficient outreach to allow access.



Because Height for Hire sent a specialist operator to install and operate the machine, our customer had minimal set up time and was able to complete the job in the tight timeframe, within budget, causing zero damage to the grass.



SPECIFICATIONS

Specification		Metric	Imperial
Working Height		31.10m	102ft
Platform Height		29.10m	95ft 6in
Working Outreach		12.60m	41ft 4in
Slew		400°	-
Width	Travelling	1.10m	3ft 7in
	Max. Working	5.40m	17ft 9in
	Min. Working	3.75m	3ft 7in
Length	Travelling	8.25m	27ft 1in
	Outrigger	5.40m	17ft 9in
Height		2.10m	6ft 9in
Minimum Weight		4000kg	8818lb
Platform Capacity		200kg	440lb
Platform Size		1.25m x 0.8m x 1.1m	49in x 31in x 43in
Track Surface Area		1.50m x 0.25m	59in x 9in
Outrigger Plate		0.44m x 0.28m	17in x 11in
Drive Speed		-	-
Maximum Setup Incline		40% (21.8°)	-
Gradeability		35% (19.3°)	-
No. Outrigger Positions		2	-

FLOOR LOADINGS

Surface	Metric	Imperial
Max. Load per Outrigger	2,580kgf	5,688lbf
Max. Track Surface Pressure (Soft Ground)	0.57kg/cm ²	1,165lb/ft ²
Max. Ground Pressure with Standard Outrigger Pads (0.85x0.60m)	0.51kg/cm ²	1,045lb/ft ²

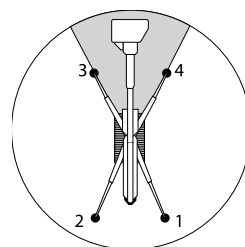
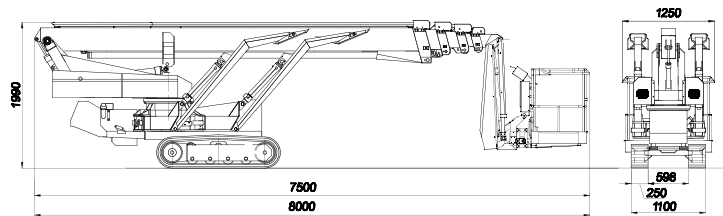
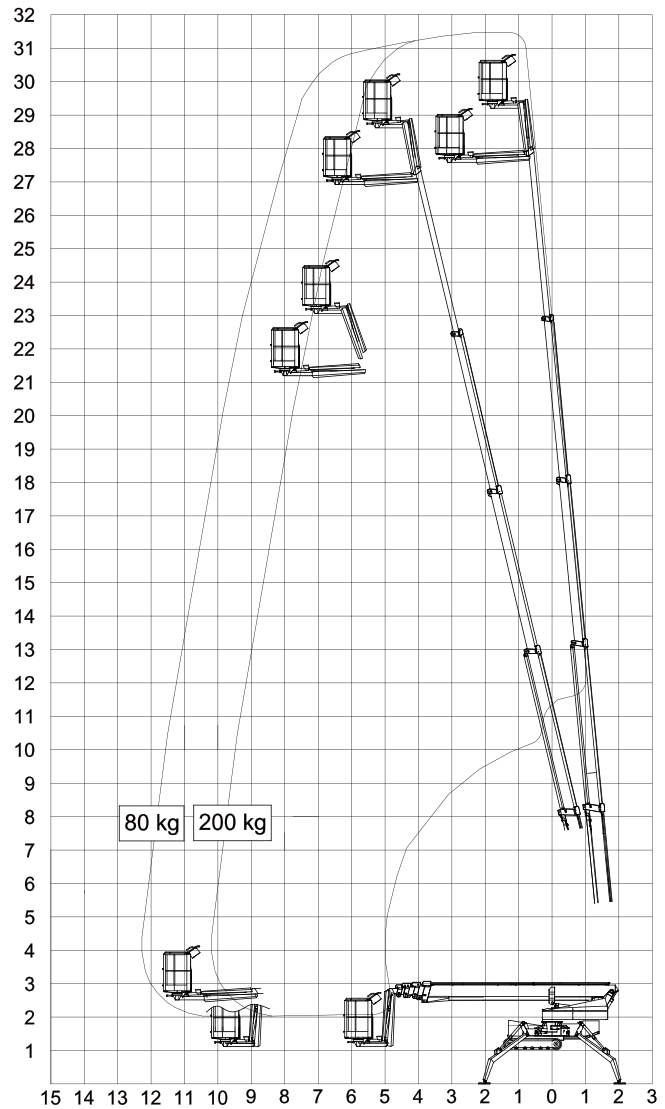
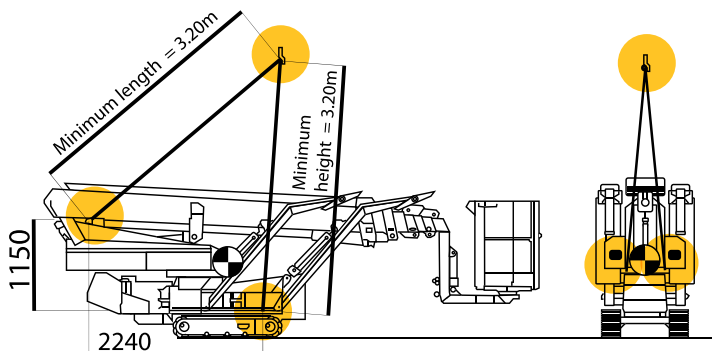
PLUG-IN VOLTAGE



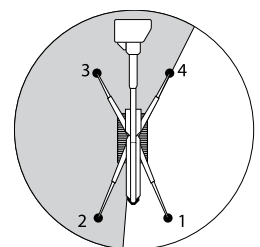
110V or 240V, 16Amp
Charges onboard batteries.

CRANING

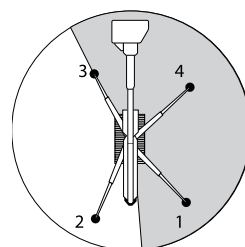
It is recommended to use slings of the same length and the minimum length should be 3.2m. It is important to comply, as the machine must always hang at a backwards angle (please see sketch) and the lift must never tip forwards during lifting.



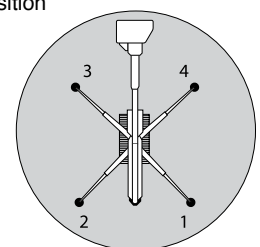
All stabilisers locked in reduced position



Stabiliser 1 and 4 locked in reduced position
Stabiliser 2 and 3 locked in maximum position



Stabiliser 2 and 3 locked in reduced position
Stabiliser 1 and 3 locked in maximum position



All stabilisers locked in maximum position